

# PRODUCT INFORMATION PACKET

Model No: 5KH32FN5598X

Catalog No: HG680

1/3 HP Carbonator Pump Motor, 1 phase, 1800 RPM, 115 V, 48Y Frame, ODP  
Carbonator Pump Motors



Regal and Marathon are trademarks of Regal Beloit Corporation or one of its affiliated companies.  
©2020 Regal Beloit Corporation, All Rights Reserved. MC017097E

REGAL

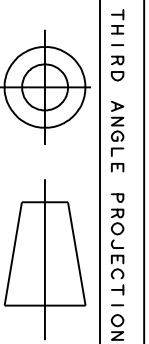
### Nameplate Specifications

Output HP	0.33 Hp	Output KW	0.25 kW
Frequency	60 Hz	Voltage	115 V
Current	5.6 A	Speed	1725 rpm
Service Factor	1.15	Phase	1
Efficiency	57.3 %	Power Factor	0
Duty	Continuous	Insulation Class	B
KVA Code	N	Frame	48Y
Enclosure	Drip Proof	Thermal Protection	AUTO
Ambient Temperature	40 °C	Drive End Bearing Size	6203
Opp Drive End Bearing Size	6203	UL	Recognized
CSA	Yes	CE	N

### Technical Specifications

Electrical Type	Split Phase	Starting Method	SM
Poles	4	Rotation	Counterclockwise/Clockwise
Mounting	Rigid Base	Motor Orientation	ANY
Drive End Bearing	BALL	Opp Drive End Bearing	Ball
Frame Material	Rolled Steel	Overall Length	7.69 in
Frame Length	5.16 in	Shaft Diameter	0.500 in
Shaft Extension	0.17 in		
Connection Drawing	52A105379AA	Outline Drawing	52A109311P1

This is an uncontrolled document once printed or downloaded and is subject to change without notice. Date Created:03/11/2020

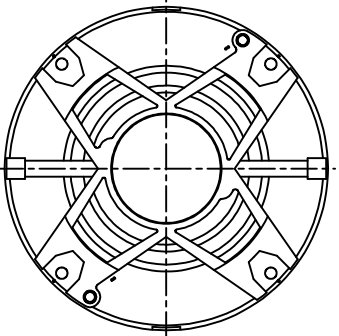


THIRD ANGLE PROJECTION

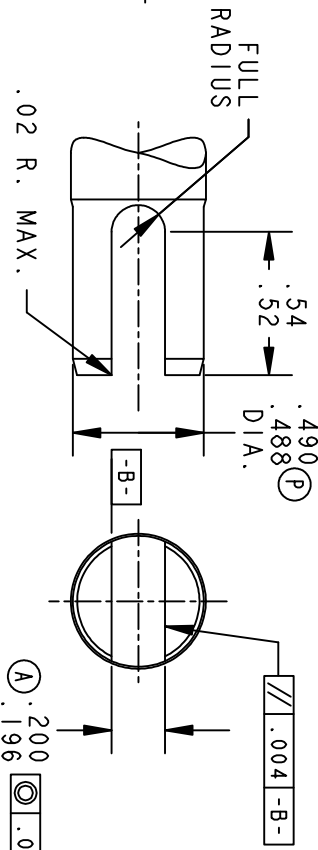
REVISIONS

REV.	DESCRIPTION	DATE	APPROVED
4	CHG TO RBC FORMAT PER IS05-11777	03/09/06	SUDHA

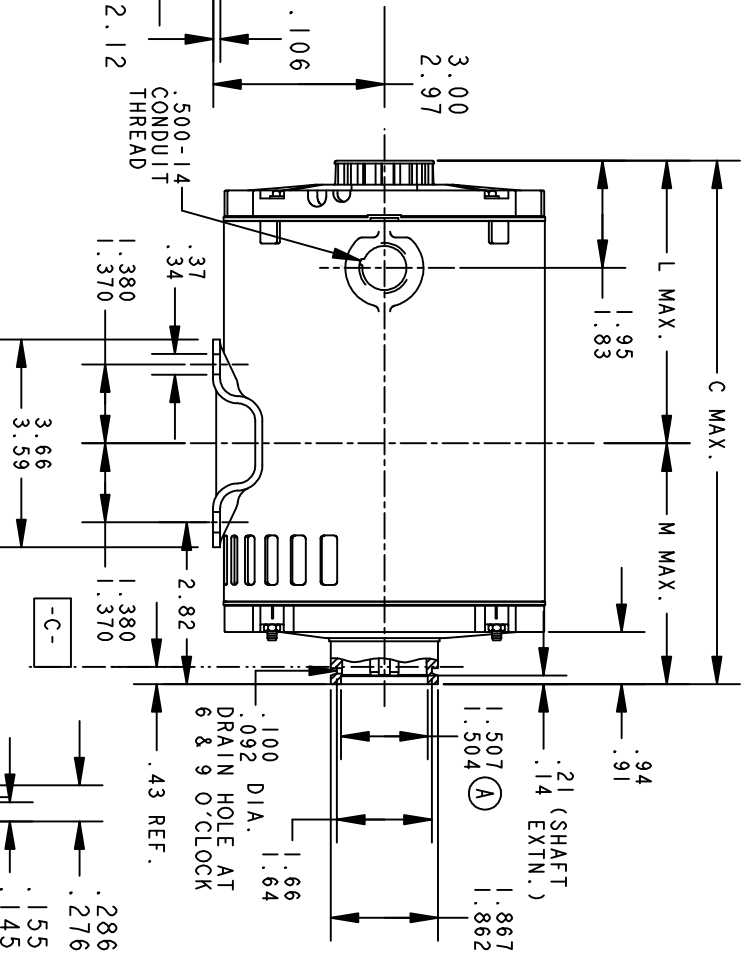
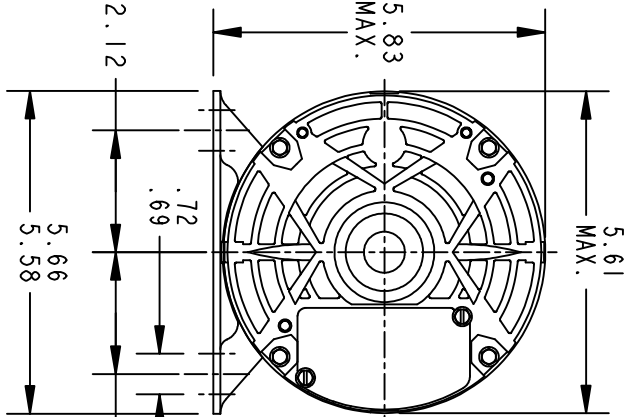
52A109311 4



VIEW SHOWING P.E. VENTILATION OPENINGS



CONTROL SURFACES & DIMENSIONS  
 (P) PROC.  
 (E) ENG.  
 (A) APPL.  
 (R) REG.



P	TYPE	GE	NEMA	FR
3	KCR	35	48Y	8.32
2	KH	33	48Y	7.94
1	KH	32	48Y	7.69
				3.55
				4.28

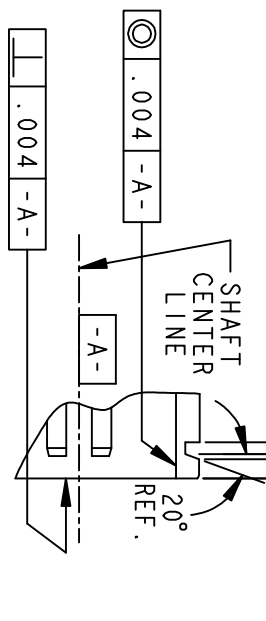
SIGNATURES	DATE
MODEL M.D. PAPE	11/12/93
DETAIL	
CHECKED	
ENGRG	
MFG	
QUALITY	
ISSUED	11/12/93



REGAL-BELOIT CORPORATION

OUTLINE

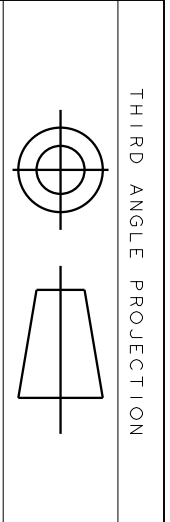
CARBONATOR PUMP - OPEN -  
 WELDED BASE - SLV. BRG.



FOR ADDITIONAL INFO REFER TO:
APPLIED PRACTICES
DIMENSIONS ARE IN INCHES
MATERIAL

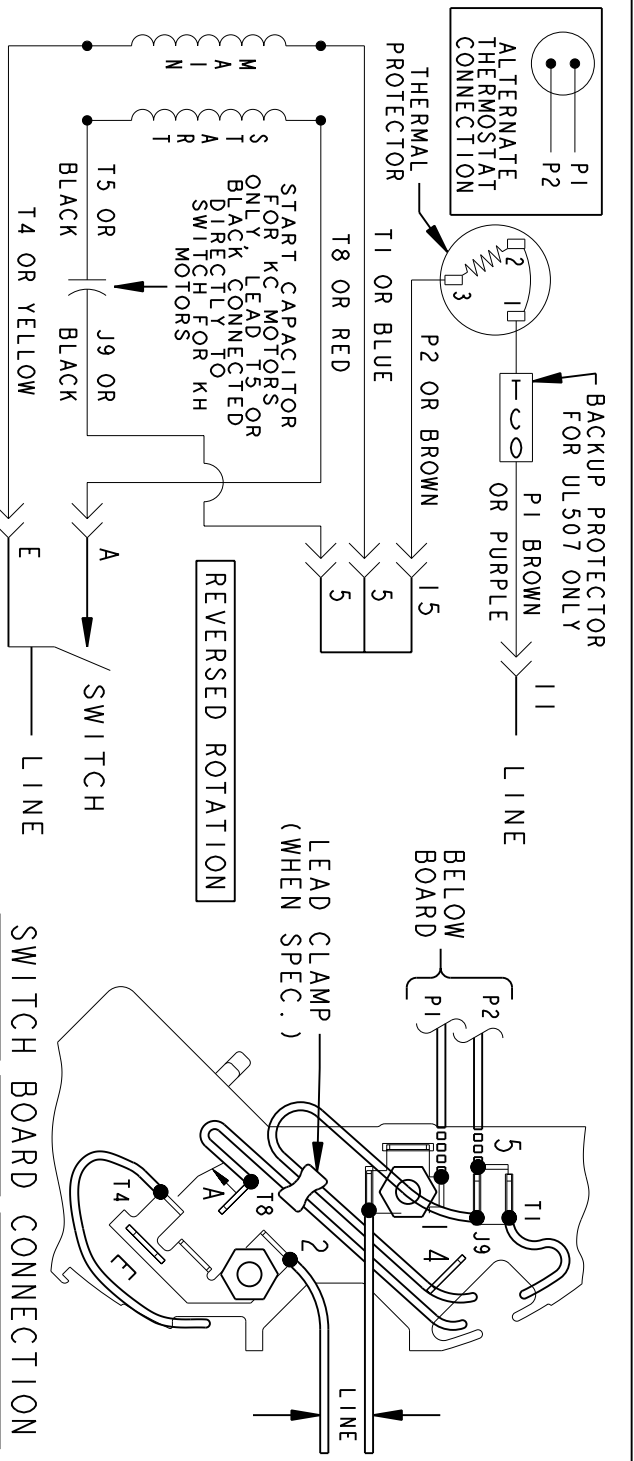
SIZE	DRAWING	SCALE	REF. No.	SHEET
A	A	0.250		1 of 1

52A109311 4



REV.	DESCRIPTION	DATE	APPROVED
6	UPDATED FORMAT	12/01/05	MAM

EITHER ROTATION-SINGLE VOLTAGE-TYPE KC OR KH-WITH THERMAL PROTECTOR



NOTE #1 - TO REVERSE ROTATION INTERCHANGE RED (T8) AND BLACK (J9-KC OR T5-KH) LEADS.  
 NOTE #2 - WHEN MORE THAN ONE CAPACITOR IS USED CONNECT IN PARALLEL.

SWITCH (C) - 115D958AB REF. DIAG. - 121A851 CONN. LABEL - 52X332048

SIGNATURES	DATE
MODEL M.D.PAPE	06/29/87
DETAIL	
CHECKED	
ENGRG	
MFG	
QUALITY	
ISSUED	M.D.P. 03/08/00
SOLID MODEL: 52A105379AA	

**REGAL-BELOIT CORPORATION**

**REGAL-BELOIT**

**CONNECTION DIAGRAM**

**FMF - 30 FR SWITCH REDESIGN**

SCALE: 1.000 REF. No.:

SIZE DRAWING A

52A105379AA

REV 6